



► Model RSL-LMM

Radiant Multi-Pattern Light Module

RSL-LMM offers a multi-pattern LED light with high optical performance. Its modular design and compound functionality make this module ideal for applications where gaining attention is required.

RSL-LMM is capable of producing four integrated light effects: double flash, triple flash, strobe effect and random. The random pattern consists of an uneven flashing pattern, increasing the ability to catch attention.

Pattern selection in the individual light modules allows each light module in your configuration to activate a different flash pattern.

FEATURES

- Modular design allows for up to 7 light modules; 6 light modules & 1 sound module (1 channel) or 5 light modules & 1 sound module (2 channels)
- Four integrated flash patterns selectable via dip-switch
- Compatible with 12-24VAC/DC or 120-240VAC*
- Indoor/outdoor use
- PLC compatible
- Type 4X, IP65 enclosure when installed with both gaskets included on each module
- RoHS Compliant
- UL and cUL Listed, CE Certified

*Voltage dependent on selected wiring module

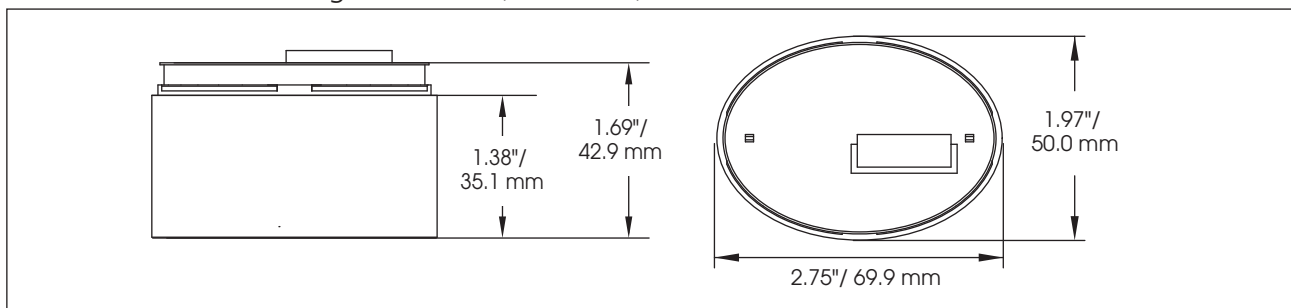


Wiring Modules

MODEL	MAXIMUM OPERATING CURRENT* (mA)			
	24VDC	24VAC	120VAC	240VAC
RSL-LMM				
RSL-WML/RSL-WMH	60	100	35	25

*Maximum operating current is for one module. For multiple modules the current will have to be added throughout the configuration to get the total maximum operating current.

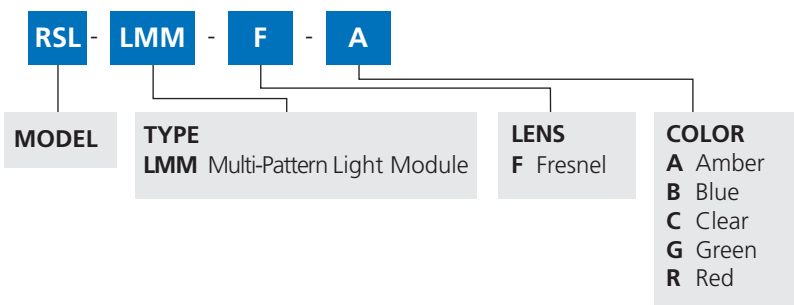
Radiant Multi-Pattern Light Module (RSL-LMM)



SPECIFICATIONS

Operating Temperature:	-22° to 122°F	-30° to 50°C
Lamp Life:		50,000 Hours
Light Source:		LED
Net Weight:	1.41 oz	0.04 kg

HOW TO ORDER



Stack Light Configuration Steps:

- 1: Select your mounting base
- 2: Select your wiring module based on:
 - A: Voltage
 - B: Steady or flashing effects
- 3: Select your light module(s) based on:
 - A: Color
 - B: Brightness
 - C: Lens type
 - D: Steady or flashing effects
- 4: Select your sound module (optional)

Order Example for a Flashing Radiant Stack Light with Flash Pattern Selection in Light Modules

Example of what is needed to order a model with 24VDC, Flashing, Green & Red LEDs, Fresnel Lens, Pipe Mount, Two-Tone Sound Module, Gray Housing

QTY	MODEL	DESCRIPTION
1	RSL-BP-GY	Pipe Mount Base, Gray
1	RSL-WML-012-024GY	12-24VAC/DC Standard Wiring Module, Gray
1	RSL-LMM-F-G	Multi-Pattern Light Module, Fresnel Lens, Green
1	RSL-LMM-F-R	Multi-Pattern Light Module, Fresnel Lens, Red
1	RSL-SM-GY	Two-Tone Sound Module, Gray

Order Example for a Steady & Flashing Combination Radiant Stack Light

Example of what is needed to order a model with 240VAC, Red Flashing, Amber Flashing, Green Steady, Fresnel Lens, Extended Mount, Gray Housing

QTY	MODEL	DESCRIPTION
1	RSL-BE-GY	Extended Mount Base, Gray
1	RSL-WMH-120-240GY	120-240VAC Standard Wiring Module, Gray
1	RSL-LMM-F-R	Multi-Pattern Light Module, Fresnel Lens, Red
1	RSL-LMM-F-A	Multi-Pattern Light Module, Fresnel Lens, Amber
1	RSL-LMS-F-G	Steady Light Module, Fresnel Lens, Green